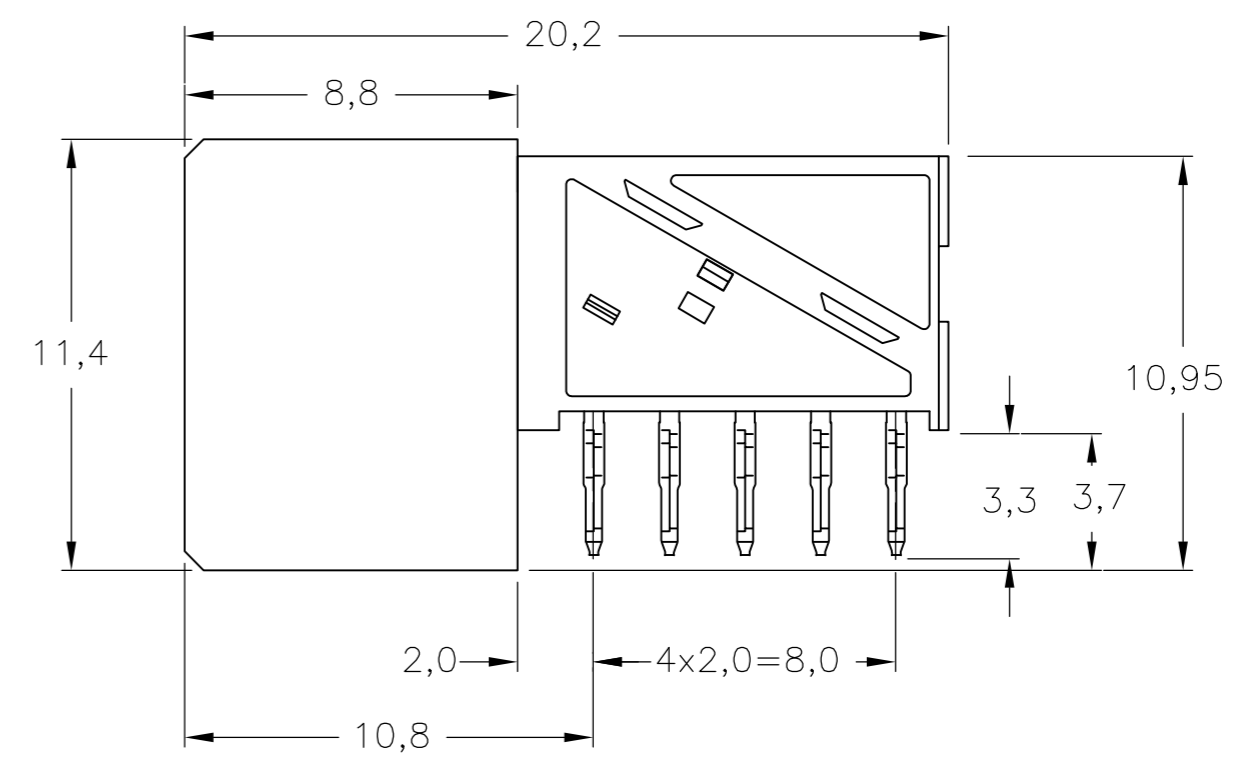
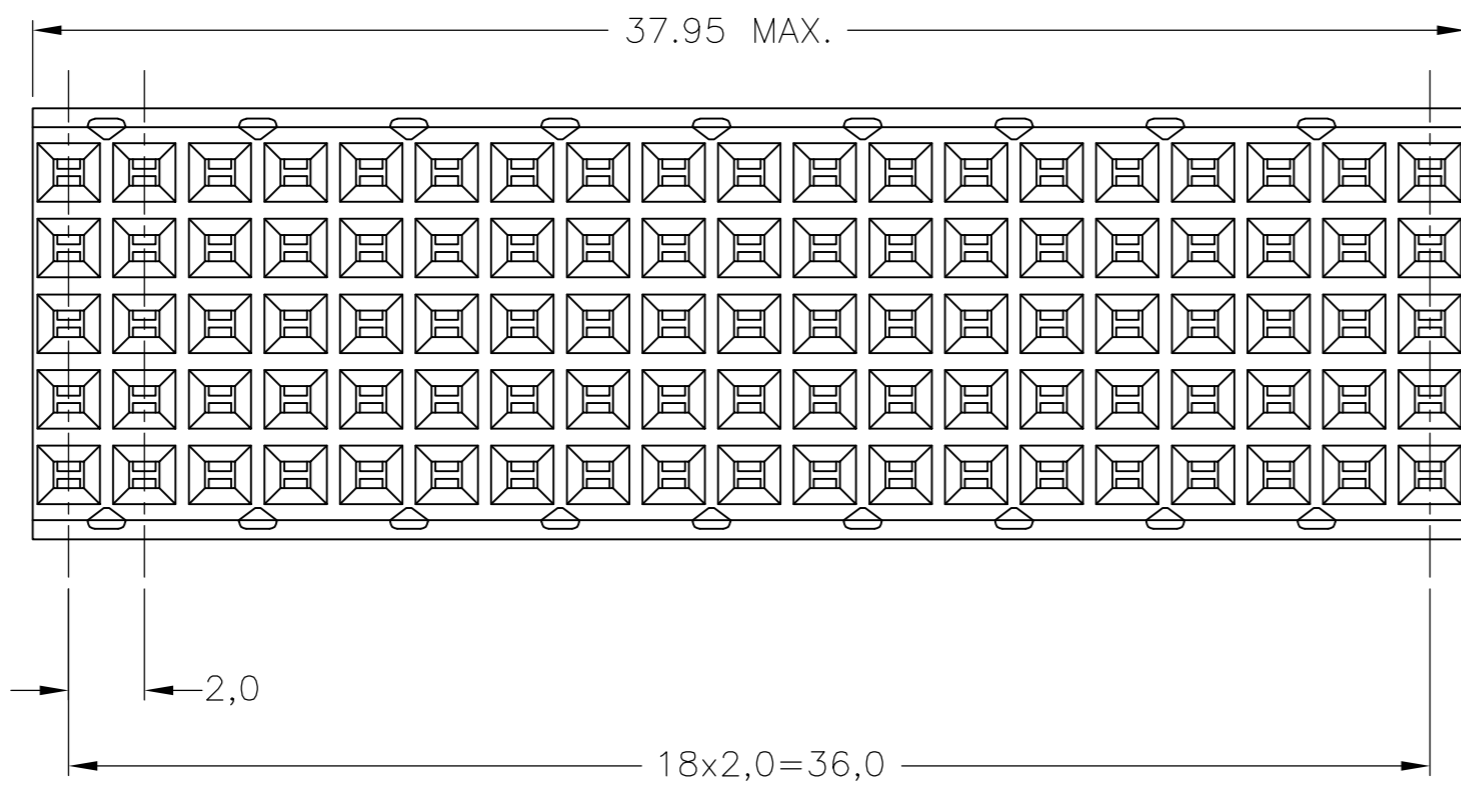
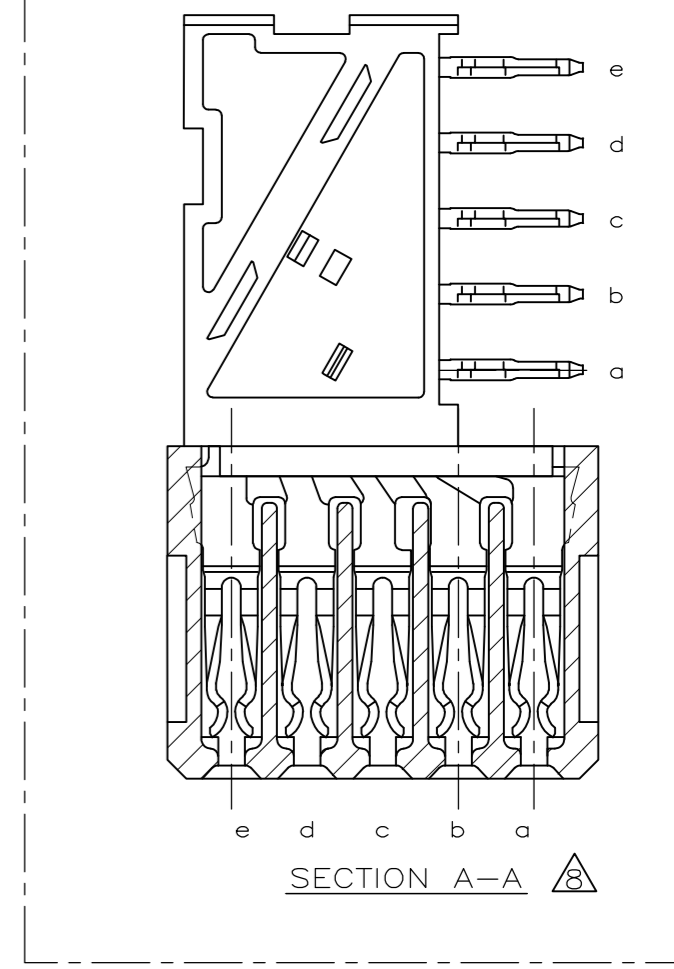
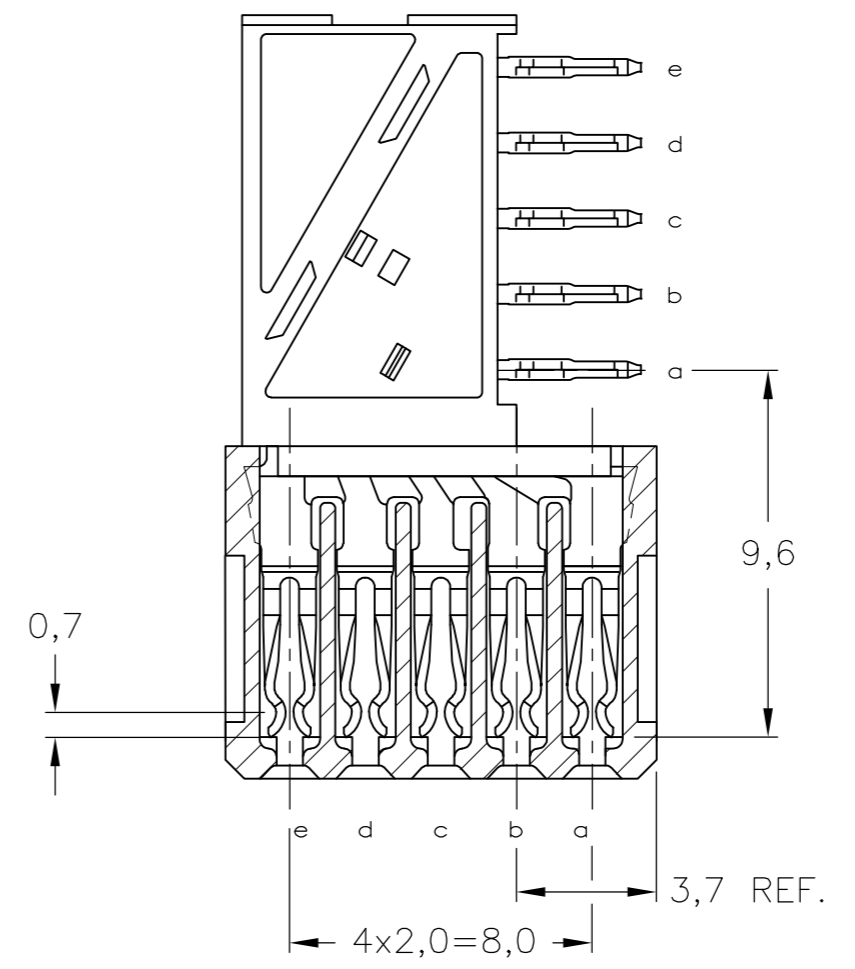
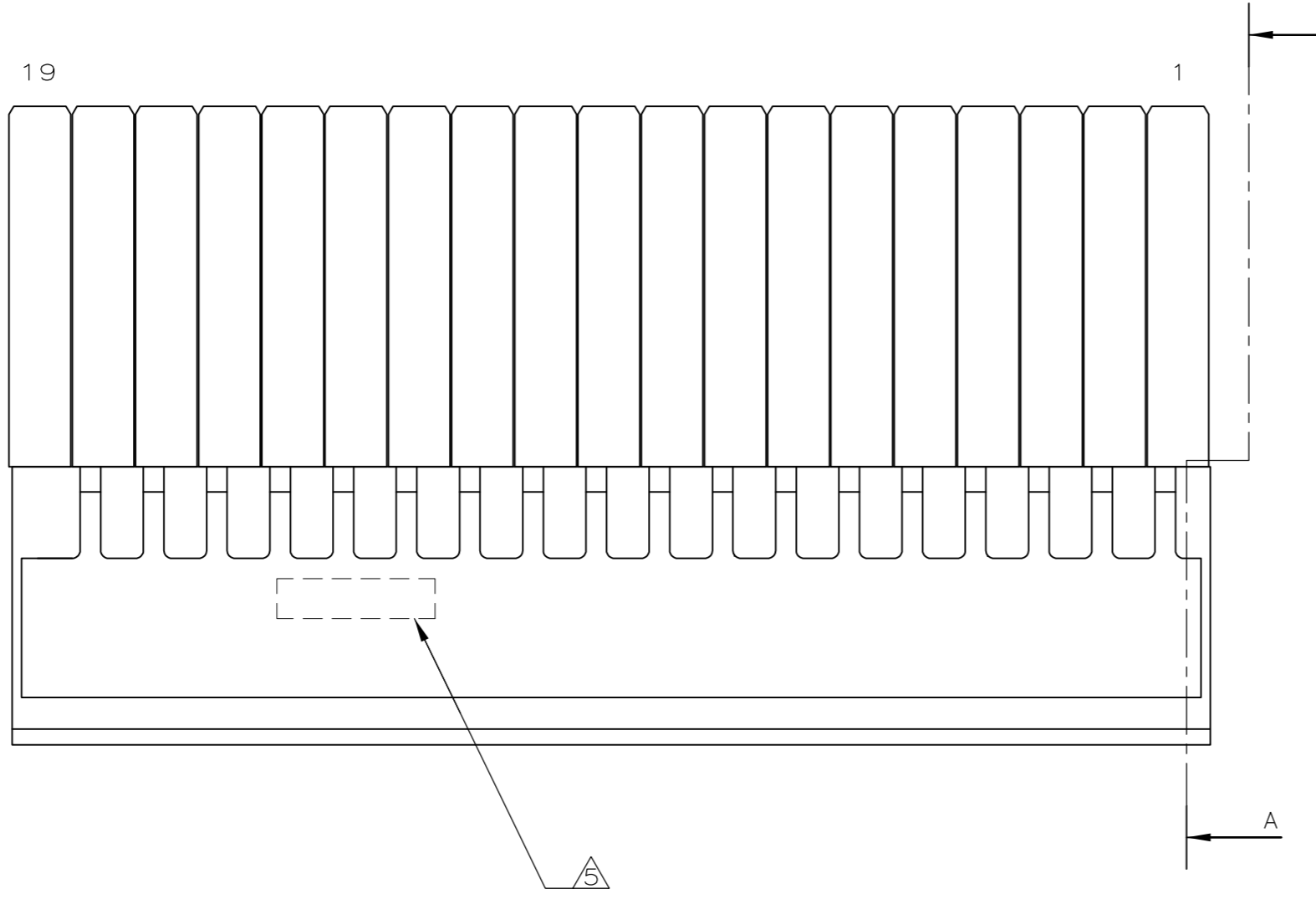
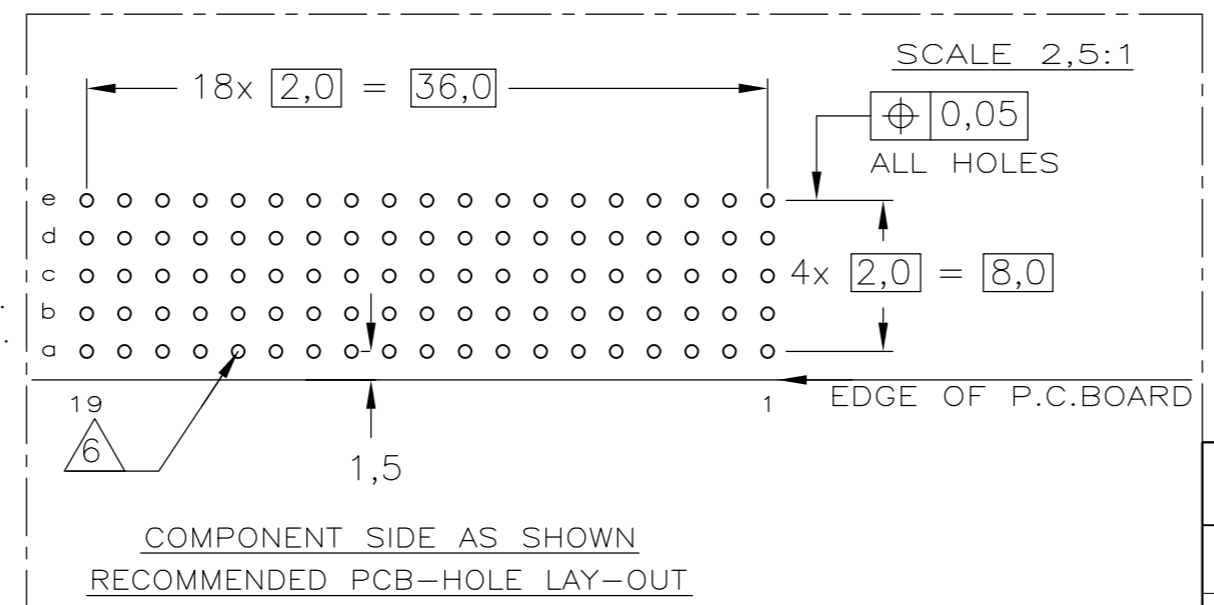


THIS DRAWING IS UNPUBLISHED. RELEASED FOR PUBLICATION
 © COPYRIGHT BY TYCO ELECTRONICS CORPORATION. ALL RIGHTS RESERVED.

LOC		DIST		REVISIONS			
P	LTR	DESCRIPTION	DATE	DWN	APVD		
C		ECO-11-024491	13DEC11	SY	MQW		



- NOTES:**
- 1 MATERIAL CONTACT; PHOSPHORBRONZE
 - 2 MATERIAL HOUSING; GLASSFILLED POLYESTER UL-RATING 94V0 (GRAY)
 - 3 GENERAL PLATING SPECIFICATION: UNDERPLATING (ENTIRE CONTACT): 1,27µm NICKEL MIN. AND ACTION PIN: 0,5µm TIN MIN. FOR PLATING OF MATING SURFACES SEE APPLICABLE SPECIFICATION REFERENCE FOR EACH DASH NUMBER.
 - 4 CONFORMS TO ALL TESTING ACCORDING IEC 61076-4-101 PERFORMANCE LEVEL 2.
 - 5 CONFORMS TO ALL TESTING ACCORDING IEC 61076-4-101 PERFORMANCE LEVEL 1.
 - 6 CONNECTOR PRINTED WITH PARTNUMBER AND DATECODE THE MARKING CAN APPEAR ON THE FRONT SIDE OR ON THE BACK SIDE.
 - 7 PLATED-THROUGH HOLES AT 2x2mm SQUARE GRID. 95 HOLES FITS WITH INTEGRATED GROUND RETURN UPERSHIELD, BASIC P.N. 5352028 AND INTEGRATED GROUND RETURN LOWERSHIELD, BASIC P.N. 5352029
 - 8 CONNECTOR ASSEMBLED WITH REDESIGNED CONTACTS. CONTACTS HAVE A CORING-OUT IN THE PLASTIC.



P.C.B. HOLE DIM. ACTION PIN
 FOR DETAILS SEE APPLICATION SPECIFICATION

THIS DRAWING IS A CONTROLLED DOCUMENT.		DWN	13AUG2004	Tyco Electronics Corporation 's-Hertogenbosch, 5222AR-32	
DIMENSIONS: mm		CHK	22MAR2005	NAME	
TOLERANCES UNLESS OTHERWISE SPECIFIED:		APVD	22MAR2005	PRODUCT SPEC	
0 PLC	± -	108-19082		APPLICATION SPEC	
1 PLC	± -	114-19029		WEIGHT	
2 PLC	± -	-		CUSTOMER DRAWING	
3 PLC	± -	-		SCALE 5:1	
4 PLC	± -	-		SHEET 1 OF 1	
ANGLES	± -	-		REV C	
FINISH	-	-		-	